

Level 2 Practice Test X

Name: _____ Date: _____



Key Skills application of number
Adult numeracy
Functional Mathematics (see notes below)
Level 2

Test Paper X (college devised)

YOU NEED

This test paper

A ruler marked in mm and cm

You may use a bilingual dictionary

For adult numeracy or Key Skills you may NOT use a calculator.

For Functional Maths you can use a calculator but your tutor will probably give you less time to complete this paper.

Do NOT open this paper until you are told to do so

There are 40 questions in this test

Total marks available: 40

Try to answer ALL the questions

YOU HAVE 1 HOUR AND 15 MINUTES TO FINISH THE TEST

INSTRUCTIONS

Make sure your personal details are entered correctly at the top of this sheet and on the answer sheet.

Read each question carefully.

Write your answers clearly on the answer sheet.

If you do not have enough space use blank paper for your workings out.

Please hand this in at the end of the test.

Level 2 Practice Test X

Name: _____

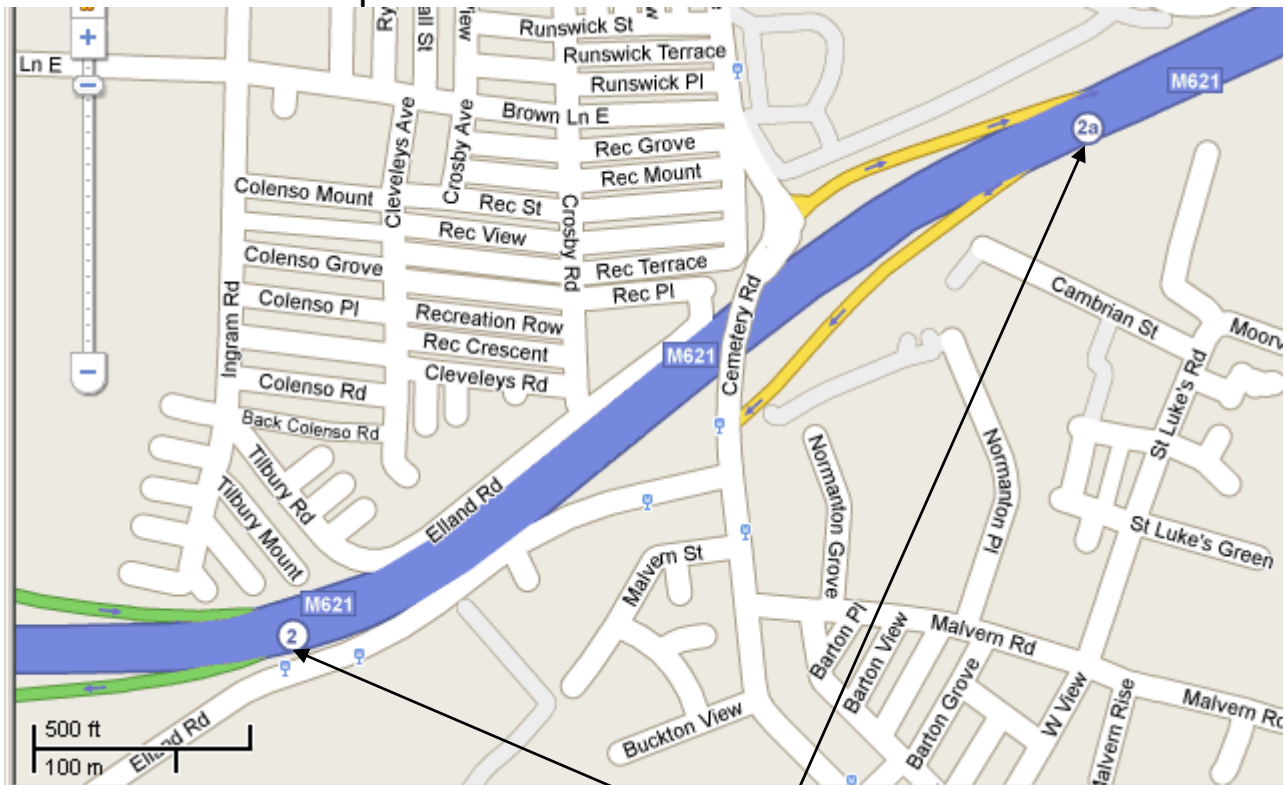
You must show all your working out even if you use a calculator.

1. Round £1,322,007.58 to the nearest £10,000
2. Estimate the cost of 2200 tins of paint at £19.12 each.
3. Rewrite these fractions in ascending size order:

$$\frac{3}{4} \quad \frac{5}{8} \quad \frac{2}{3} \quad \frac{17}{24}$$

4. 42% of the people in a city are female. If there are 400,000 people altogether, how many are female?

5. Look at the map below.



How far is it between junctions 2 and 2a of the motorway to the nearest 1000 ft?

Level 2 Practice Test X

Name: _____

You must show all your working out even if you use a calculator.

6. If 8 km is about 5 miles, about how many miles is 47,000 km to the nearest 100 miles?

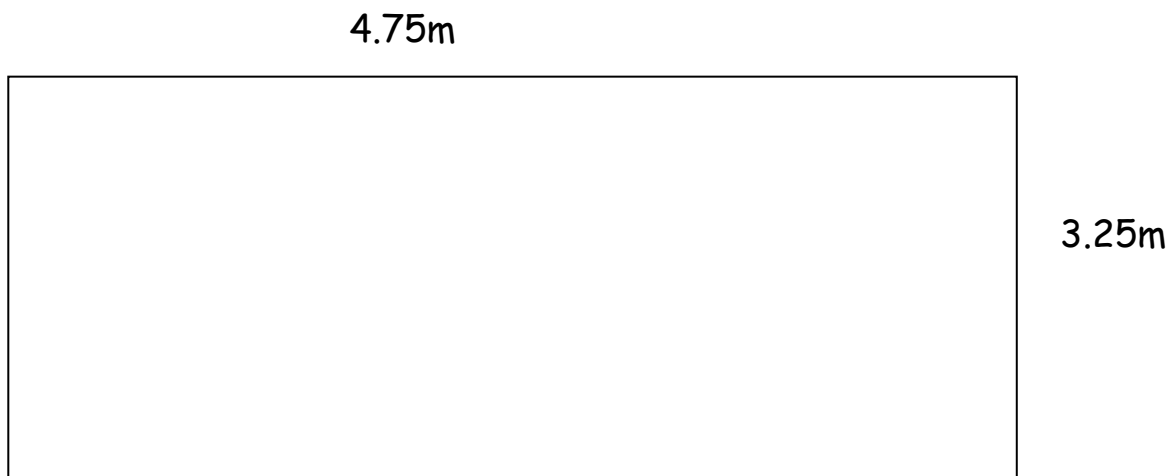
7. Jake buys three 1.5l bottles of water and pours out 21 cups of 200 ml each. How much water is left in the bottle(s)?



8. A dice has sides of 1.2 cm. What is its volume in cubic mm?

Questions 9 and 10 are about carpeting a room.

9. Jan wants to put carpet tiles on this rectangular floor.



Each tile is 25cm square. Carpet tiles come in packs of 10 at £12.65 per pack. How many packs will she need?

10. What will the cost of the tiles be?

Level 2 Practice Test X

Name: _____

You must show all your working out even if you use a calculator.

Questions 11 and 12 are about test results.

11. These are the scores of a group of adults on a test.

270	380	230	300	400	380	310	190	330
-----	-----	-----	-----	-----	-----	-----	-----	-----

What was the mean score?

12. What is the range of the scores?

13. What is the height of an average door to the nearest metre?



14. Thirteen people share a lottery win of £5,772,013.39. How much does each get?

15. These are the ingredients for an omelette that will feed 2 people.

4 eggs 1 tablespoon butter 70g cheese 25 ml milk

How much cheese would you need to make 75 omelettes? Give your answer in kg.

Level 2 Practice Test X

Name: _____

You must show all your working out even if you use a calculator.

Questions 16 – 19 are about a cinema.

Look at the chart and answer the questions about it.

Day of week	Monday	Tuesday	Wednesday	Thursday	Friday
Adults	1300	1321	1348	1149	1424
Children	1080	1128	1178	1104	1165

16. The manager records the numbers of people attending the cinema from Monday to Friday in a week.
What is the daily mean number of children?
17. Tickets are £5.75 for adults and £4.50 for children. How much money was made from tickets on Thursday and Friday?
18. How much greater was the range in the number of adults attending than the range in the number of children attending?
19. Which calculation checks how much money was made on children's tickets for the week?
- A $\frac{1080 + 1128 + 1178 + 1104 + 1165}{450} \times 0.01$
- B $(1080 + 1128 + 1178 + 1104 + 1165) \times 450 \times 0.01$
- C 5655×450
- D 5555×4.5

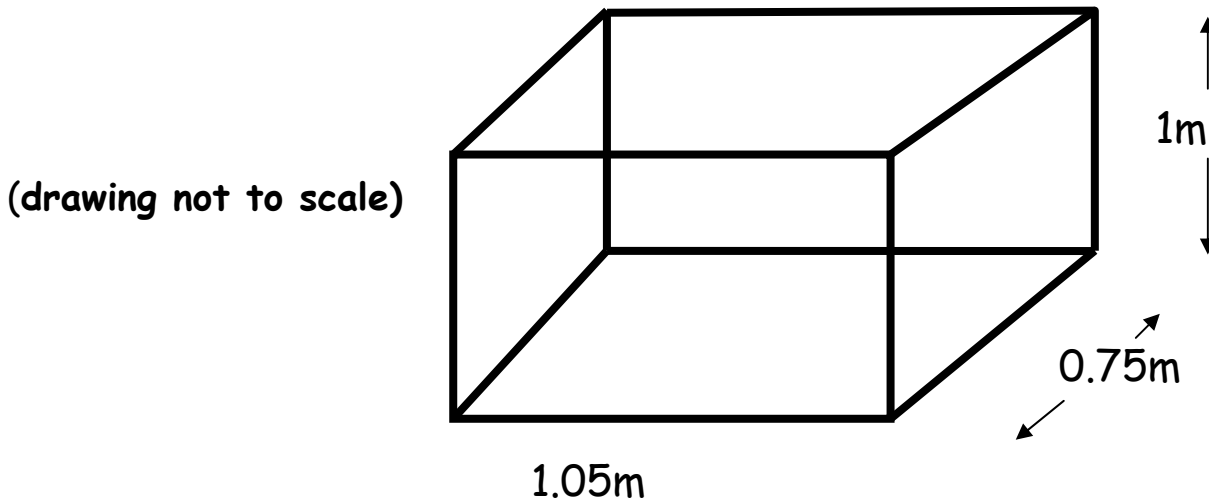
Level 2 Practice Test X

Name: _____

You must show all your working out even if you use a calculator.

Questions 20 - 22 are about a supermarket.

20. A tin of soup has a diameter of 7.5cm and is 9.4cm tall. How many can be packed into the cuboid container below?



21. Soup sells for £1.19 a tin in a supermarket. The supermarket buys a box of 250 for £177.94. How much profit do they make per box?
22. 29887 people were surveyed and 81% of them preferred butter to margarine. About how many people is that?

Questions 23 and 24 are about a factory.

23. A factory employs 503 women and 393 men. What is the approximate ratio of men to women employees?
24. A quarter of the workers went on a night out, paying £9.50 for a ticket to a show. How much did they spend on tickets altogether to the nearest £10?

Level 2 Practice Test X

Name: _____

You must show all your working out even if you use a calculator.

Questions 25-27 are about organising a club meeting.

25. The table below shows the cost of hiring the hall.

Aberford Hall Hire Rates	
Mon-Fri	£15/hr
Sat	£37.50/hr
Equipment Hire	£22 extra per booking
Deposit = 20% of total cost	

If you book the hall for 4 hours on a Saturday with equipment hire, which calculation gives the deposit?

A $22 + (37.5 \times 4) + \frac{20}{100}$

C $37.50 + 22 \times 4 \times \frac{20}{100}$

B $22 + (37.5 \times 4) \times \frac{20}{100}$

D $37.50 - 22 \times 4 + \frac{20}{100}$

26. The committee makes 25 litres of a lemon drink for the refreshments. They mix the lemon concentrate and water in the ratio 1:10. How many litres of lemon concentrate do they need to the nearest quarter of a litre?

27. Committee membership fees go up from £24 to £25.50. What is the percentage increase?

28. Two places are 15 cm apart on a map. The scale is 1:250 000. How far apart are they in real life?

29. How many strands of wool for rugmaking can be cut from 10.54m length of wool if each piece of wool must be 7.8cm long.

30. How many centimeters are there in 3.008 Km?

31. A plane flies at 673 Km/hour for 4 hours 45 minutes. How far did it go in this time (to the nearest 100km)?

Level 2 Practice Test X

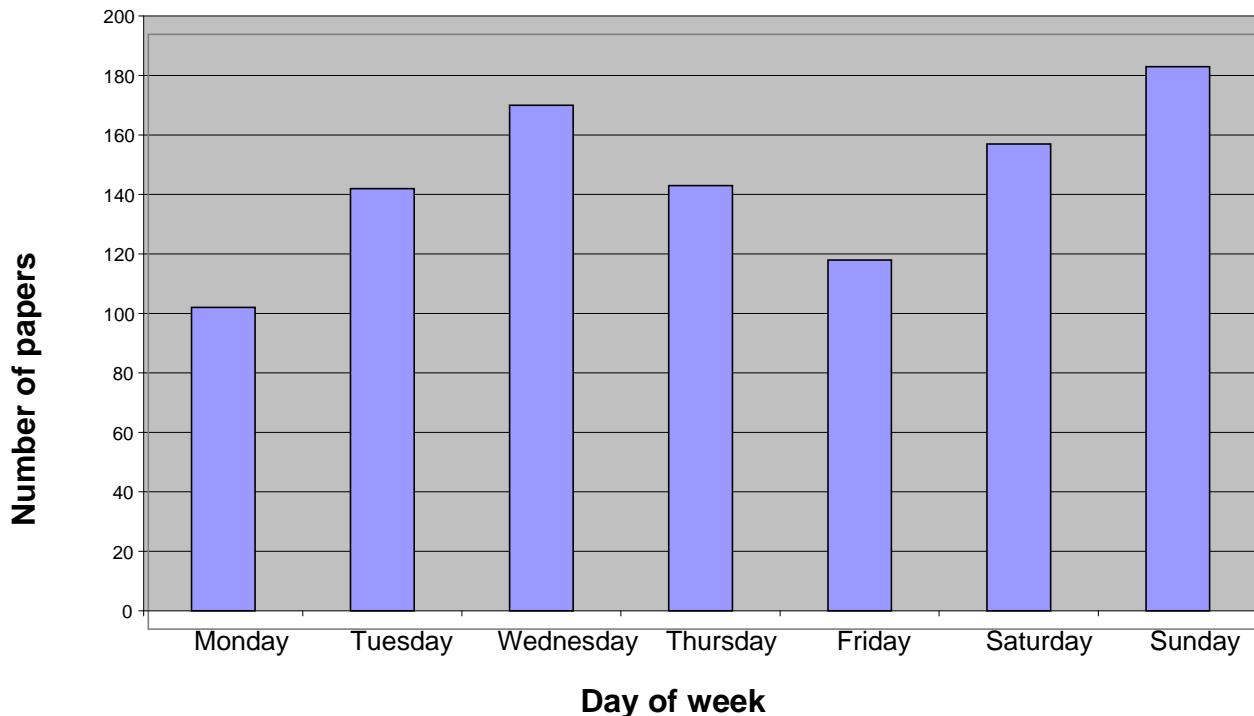
Name: _____

You must show all your working out even if you use a calculator.

32. 31.25% of people clean their teeth in the morning. Is this:
- A A little less than a quarter?
 - B A little more than a quarter?
 - C A little less than a third?
 - D A little more than a third?

33. Look at the table below. Roughly how many more papers were sold in the week than at the weekend?

Number of newspapers sold in local shop



Questions 34 to 36 are about a theme park.

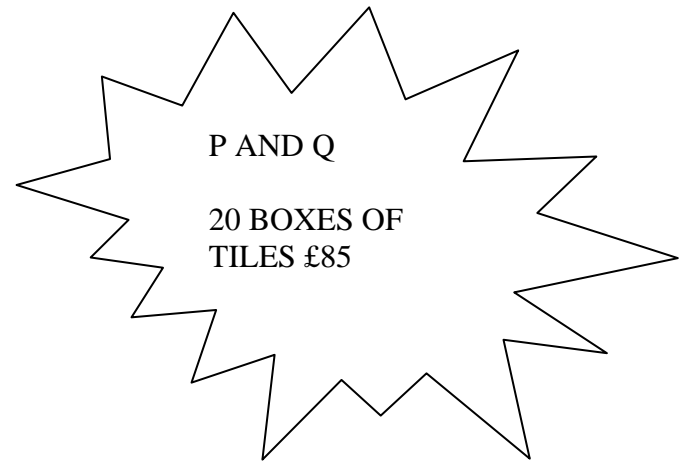
34. At a theme park, 2 001 012 rides were taken in one month. 397 913 of these were on the Big Dippers. Roughly what fraction of the total rides were on the Big Dippers?
35. If each ride cost £3.50, how much was spent on all rides that month?
36. The Big Dipper is 140 feet high. If 3 feet = about a metre, how high is the Big Dipper to the nearest 5 metres?

Level 2 Practice Test X

Name: _____

You must show all your working out even if you use a calculator.

37.



Amina needs 20 boxes of tiles. Which is the best buy, and by how much?

38. Yasmin is having a party. She is making some non-alcoholic punch. There are 30 guests. She estimates each guest will drink three 200ml cups. Each litre of punch will contain 250ml of orange juice. Which calculation checks how much orange juice she needs to buy (in litres)?

A $\frac{30 \times 3 \times 1000}{250 \times 200}$

C $\frac{30 \times 3 \times 200}{1000} \times \frac{1000}{25}$

B $\frac{30 \times 3 \times 250}{1000} \times \frac{1000}{200}$

D $\frac{30 \times 3 \times 200 \times 250}{1000 \times 1000}$

39. A toy company makes small dice with sides of 0.5 cm. How many of these dice would fit inside a cube with 1m sides?

40. The bus from Leeds city centre to Bradford takes 58 minutes. Buses leave Leeds City Centre at twenty-two minutes to the hour, every hour. Jed lives 7 minutes away from Leeds City Centre but he wants to get to the stop 5 minutes early. He wants to be in Bradford for quarter past ten. What time should he leave home?

Level 2 Practice Test X answer sheet

Name: _____



Please also hand in any rough workings

1		21	
2		22	
3		23	
4		24	
5		25	
6		26	
7		27	
8		28	
9		29	
10		30	
11		31	
12		32	
13		33	
14		34	
15		35	
16		36	
17		37	
18		38	
19		39	
20		40	

Practice Test X– Answers

1	£1 320 000	21	£119.56
2	£40 000 (£20 × 2000)	22	24000
3	$\frac{5}{8}, \frac{2}{3}, \frac{17}{24}, \frac{3}{4}$ Change them all to eighths to compare	23	4:5
4	168 000	24	£2128
5	2000 ft	25	B
6	29 400 miles	26	$2\frac{1}{4}$ litres
7	300 ml	27	6.25%
8	1728 mm ³	28	37.5 km
9	25 packs (247 tiles needed)	29	135 strands
10	£316.25	30	300 800 cm
11	310	31	3 200 km
12	210	32	C
13	2 m	33	336 (1 mark for 320 - 350)
14	£444 001.03	34	$\frac{1}{5}$
15	5.25kg	35	£7, 003, 542
16	1131 children	36	45m
17	£250 005.25	37	P and Q, by £4.28
18	177	38	D
19	B	39	8 million
20	1400	40	08.26

Teaching notes and curriculum references

Covers most areas of the L2 adult numeracy and Functional Skills Maths curriculum (number, measure and data). A Level 1 version of this test is also available on www.skillsworkshop.org

Note that this test was written to provide extra practice after students were entered for a particularly difficult L2 national test – hence some of the questions are high Level 2 or beyond.

Unlike the national test, the questions are not multiple choice. Therefore this test is also suitable for Functional Maths, initial assessment, and revision.

To obtain an editable version of the original Word document upload and share your resources at www.skillsworkshop.org

THANK YOU