



Name _____

1. Round the following numbers to the nearest 100

- a) 278
- b) 145
- c) 468
- d) 1,256

2. Which sum has the largest answer? a) 3×124
b) 4×98 or
c) 5×78

3. Which is the largest number 12.87, 12.098 or 12.123?

4. Order these fractions from smallest to largest.

$$\frac{1}{2} \quad \frac{3}{4} \quad \frac{1}{4} \quad \frac{1}{3} \quad \frac{2}{3}$$

5. What is two-thirds of 249?

6. In a school of 700 pupils 40% are girls. How many boys are there in the school?

7. If a suit costing £180 is reduced by 30%, what is the sale price?

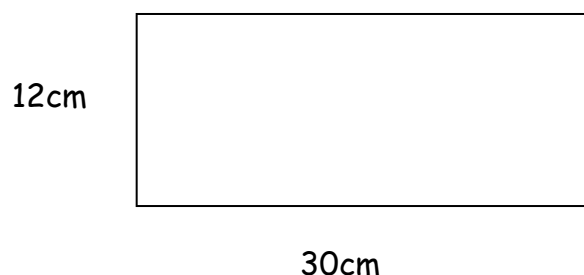
8. If I buy 8 tins of paint at £9.75 each, how much change should I expect from £100?

9. How many centilitres are there in 23.90 litres?

10. How many centimetres are there in 5.20 metres?

11. How many kilograms are there in 7,250 grams?

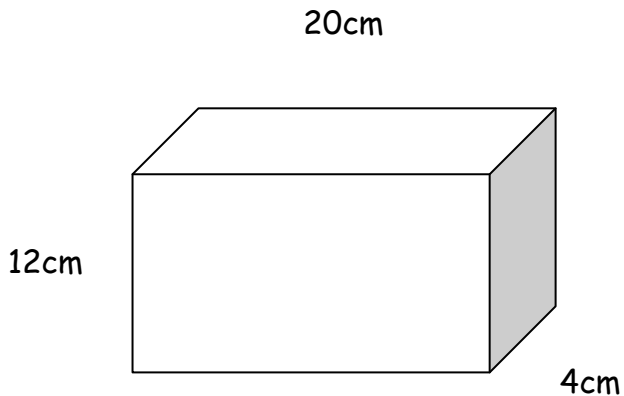
12. What is a) the perimeter and b) the area of this rectangle



Name _____



13. What is the volume of this box?

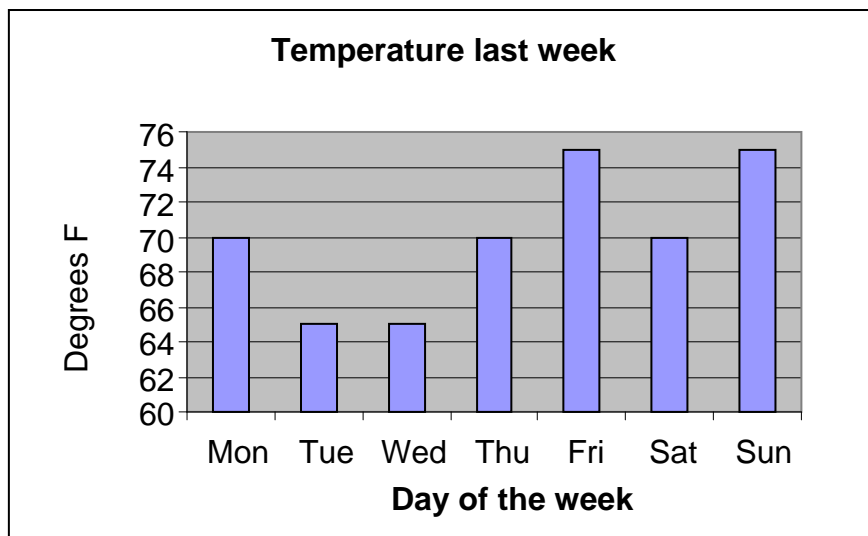


14. Which is the better value a) 6 x 4kg tins at £20 per tin or
b) 10 x 2kg tins at £15 per tin
and by how much per kilogram?

15. Write 23, 987 in words.

16. Write one hundred thousand four hundred and twenty six in figures.

Questions 17 to 19 are based on the chart below.



17. What was the average daily temperature last week?

18. What was the range of the temperature last week?

19. What was the modal temperature last week?

Name _____



20. If a couple's first child is a boy, what is the probability of the second child being a boy?

21. A man travels from London to Swansea. He takes 3 hours and 40 minutes and travels 220 miles. What is the average speed for the journey in mph?

22. A woman works 40 hours a week at £5.40 an hour. She then works 10 hours overtime at time and a half. How much does she earn in a week?

23. A carton of cereal contains 450g. How many 30g servings can you get from the packet?

24. If £1 equals 1.4 Euros, what are 42 Euros worth?

ANSWERS

1	300, 100, 500, 1300	13	960cm ³
2	4 x 98	14	a) by £2.50 per kilo
3	12.87	15	Twenty three thousand nine hundred and eighty seven
4	$\frac{1}{4}$ $\frac{1}{3}$ $\frac{1}{2}$ $\frac{2}{3}$ $\frac{3}{4}$	16	100,426
5	166	17	70 degrees F
6	420	18	10 degrees F
7	£126	19	70 degrees F
8	£22	20	1 in 2
9	2,390cl	21	60 mph
10	520cm	22	£297
11	7.25kg	23	15 servings
12	a) 84cm b) 360cm ²	24	£30